



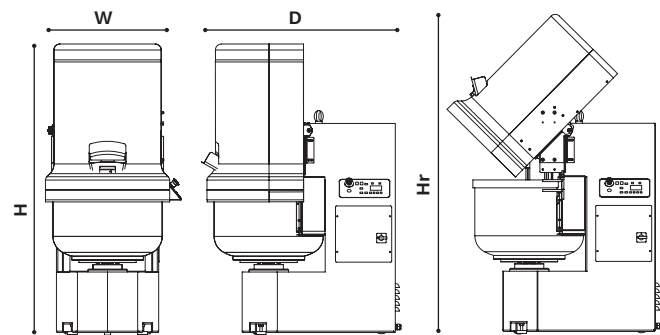
Twin arm mixer

Impastatrice a bracci tuffanti



Standard 3Ph - 50/60Hz
On request 220V - 1Ph - 50/60Hz

mac.pan



caratteristiche generali • general characteristics

- Arms made in stainless steel monoblock
- Spheroidal cast iron gears immersed in an oil bath
- Drive transmission with pulleys and trapezoidal belts
- Machine with 2 speeds (40 and 60 BPM)
- Machine with variable speeds (inverter from 25 to 75 BPM)
- Programmable digital panel
- Impulse bowl rotation
- Quick coupling / uncoupling carters system
- Quick and easy to clean
- Accident prevention hydraulic shock absorber (ON REQUEST)
- Stainless steel machine (ON REQUEST)

- Bracci in acciaio inox monoblocco
- Ingranaggi in ghisa sferoidale immersi in bagno d'olio
- Trasmissione con pulegge e cinghie trapezoidali
- Macchina a 2 velocità (40 e 60 BPM)
- Macchina a velocità variabile (inverter da 25 a 75 BPM)
- Pannello digitale programmabile
- Impulso rotazione vasca
- Sistema di aggancio/sgancio rapido carters
- Veloce e facile da pulire
- Ammortizzatore idraulico antinfortunistica (SU RICHIESTA)
- Macchina inox (SU RICHIESTA)

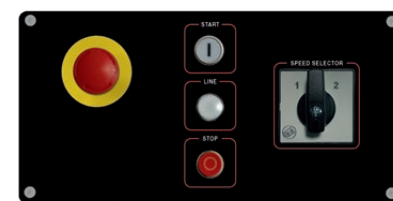
Our machines are designed, manufactured and assembled in ITALY. - Le nostre macchine sono progettate, costruite e assemblate in ITALIA.



descrizione • description

MODEL	dough capacity (min/amax)* Kg	flour capacity (min/amax)* Kg	water capacity (min/amax)* lt	bowl volume lt	water/flour min %	machine dimension cm	Hr cm	bowl diameter cm	net weight Kg	power consumption Kw
IBT45	5/48	3/30	2/18	70	60	W70_D98(H150)	175	Ø52	320	2.2
IBT55	5/56	3/35	2/21	80	60	W70_D98(H150)	175	Ø55	325	2.2
IBT65	5/64	3/40	2/24	90	60	W70_D98(H150)	175	Ø55	330	2.2
IBT80	5/80	3/50	2/30	120	60	W72_D102(H158)	175	Ø60	350	3.0
IBT110	8/110	5/70	3/40	50	60	W87_D125(H172)	205	Ø68	670	4.0
IBT130	8/130	5/80	3/50	180	60	W87_D125(H172)	205	Ø72	680	5.5
IBT150	8/150	5/95	3/55	195	60	W87_D125(H172)	205	Ø72	690	5.5

MAN



- 2 Speeds
- No Timers
- 2 velocità
- No Timer

INV



- With inverter (BPM display)
- With digital timer
- Man/auto functions
- Con inverter (display velocità)
- Con timer digitale
- Funzione MANUALE / AUTOMATICA

INV/PROG



- With inverter
- 5 programmable steps (speed + timer)
- 99 Recipes
- Man/auto functions
- With bowl impulse button
- Con inverter
- 5 step programmabili (velocità + tempo)
- 99 ricette
- Funzione MANUALE / AUTOMATICA
- Pulsante impulsi vasca/bracci

As continued product improvement is a policy of MAC.PAN Srl, specifications are subject to change without notice.

